



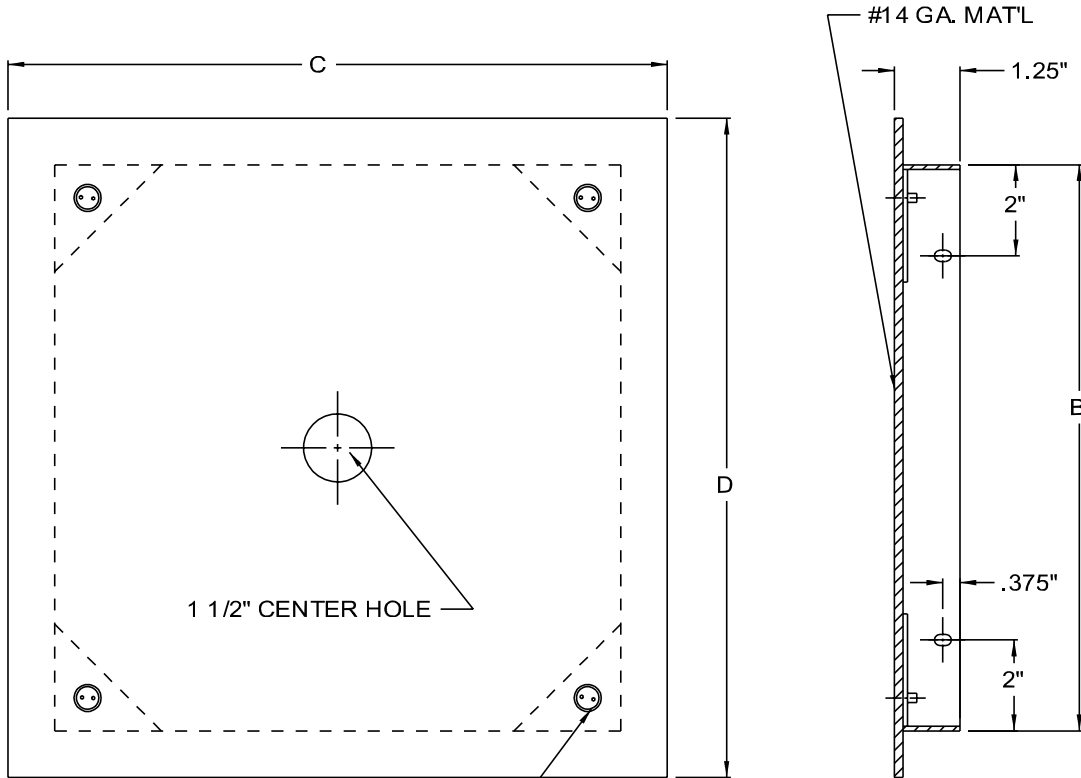
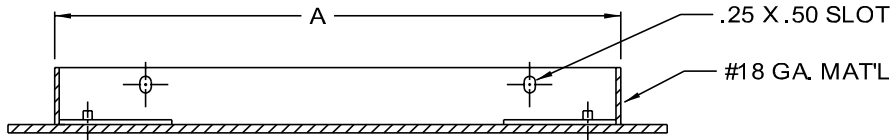
ACUDOR Products Inc.

(Address 1) 80 Little Falls Rd. Fairfield NJ 07004 USA
(Address 2) 4216 N. Pecos Rd, Ste. 104 Las Vegas, NV 89115
Tel : 800-722-0501 Fax : (973) 575-5160
www.acudor.com e-mail : info@acudor.com

AFVP

FLUSH VALVE ACCESS PANEL

QTY.	NOMINAL SIZE	A	B	C	D			LOCK
	12 x 12 (305 x 305)	12 (305)	12 (305)	13.5 (343)	13.5 (343)			
	15 x 15 (381 x 381)	15 (381)	15 (381)	16.5 (419)	16.5 (419)			



CORNER SCREWS (4) S/S SPANNER HD. 8-32

STANDARD FEATURES: TAMPER PROOF STAINLESS STEEL SCREWS, STAINLESS STEEL, #4 SATIN POLISH

OPTIONS:

LOCK TYPE
 OTHER

MATERIAL
 OTHER

FINISH
 OTHER

JOB NAME:
CUSTOMER:

APPROVED BY:
DATE: