



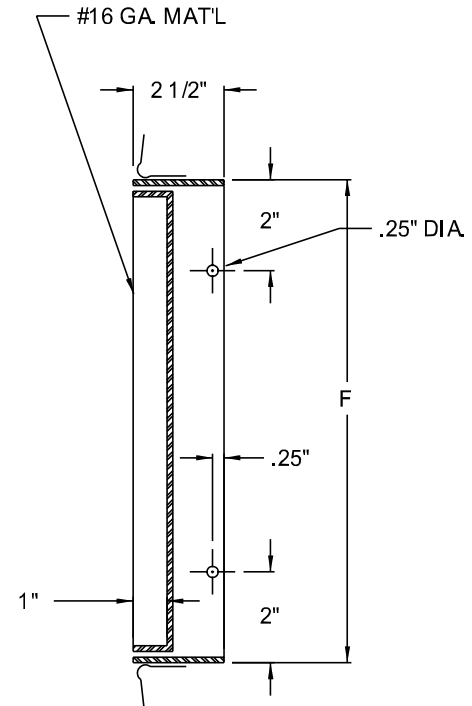
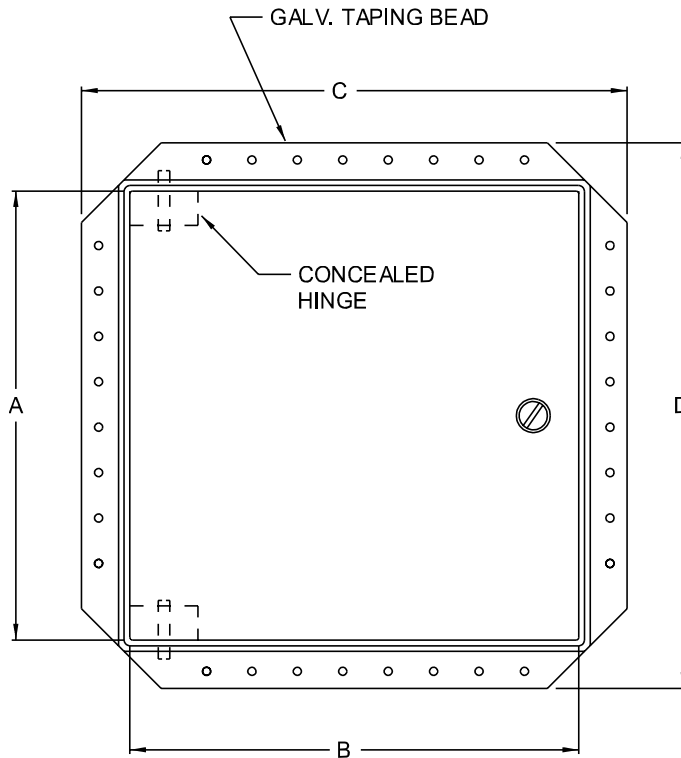
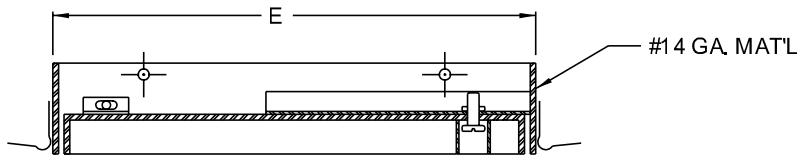
ACUDOR Products Inc.

(Address 1) 80 Little Falls Rd. Fairfield NJ 07004 USA
 (Address 2) 4216 N. Pecos Rd, Ste. 104 Las Vegas, NV 89115
 Tel : 800-722-0501 Fax : (973) 575-5160
 www.acudor.com e-mail : info@acudor.com

DW-5015

RECESSED FOR DRYWALL

QTY.	NOMINAL SIZE	A	B	C	D	E	F	LOCK
	12 x 12 (305 x 305)	11.81 (300)	11.81 (300)	14.50 (368)	14.50 (368)	12 (305)	12 (305)	1
	18 x 18 (457 x 457)	17.81 (452)	17.81 (452)	20.50 (521)	20.50 (521)	18 (457)	18 (457)	2
	24 x 24 (610 x 610)	23.81 (605)	23.81 (605)	26.50 (673)	26.50 (673)	24 (610)	24 (610)	2
	24 x 36 (610 x 914)	35.81 (910)	23.81 (605)	26.50 (673)	38.50 (978)	24 (610)	36 (914)	2



STANDARD FEATURES: STAINLESS STEEL SCREW DRIVER OPERATED CAM LATCH, CARBON STEEL, PRIME COAT BAKED ENAMEL FINISH

OPTIONS:

- LOCK TYPE**
- CYLINDER LOCK & KEY
 - ALLEN HEAD CAM LATCH
 - SPANNER HEAD CAM LATCH
 - OTHER

- MATERIAL**
- STAINLESS STEEL
 - OTHER

- FINISH**
- #4 SATIN POLISH
 - OTHER

JOB NAME:
 CUSTOMER:

APPROVED BY:
 DATE: