



ACUDOR Products Inc.

(Address 1) 80 Little Falls Rd. Fairfield NJ 07004 USA
 (Address 2) 4216 N. Pecos Rd, Ste. 104 Las Vegas, NV 89115
 Tel : 800-722-0501 Fax : (973) 575-5160
 www.acudor.com e-mail : info@acudor.com

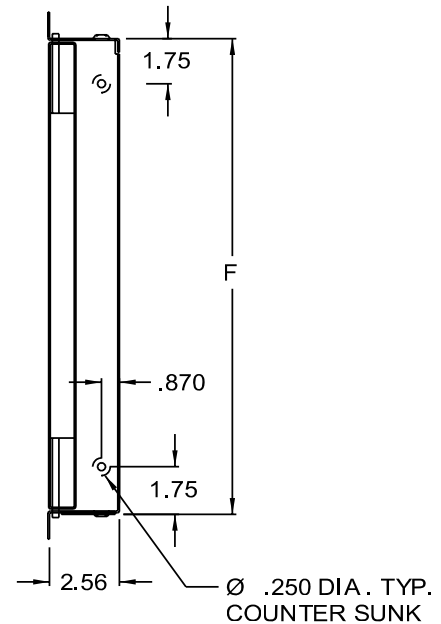
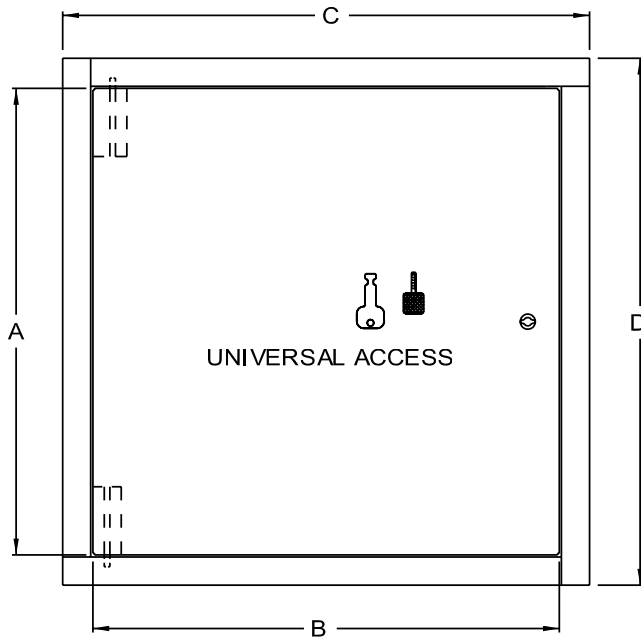
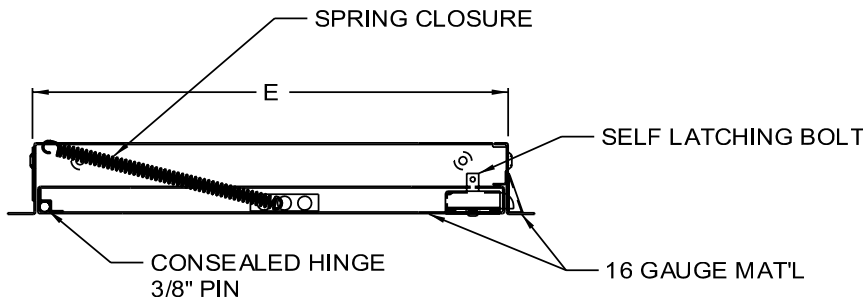
FB-5060

FIRE RATED - FOR WALLS

| QTY. | NOMINAL SIZE | A | B | C | D | E | F | LOCK |
|------|---------------------|-------------|-------------|----------|----------|-------------|-------------|------|
| | 8 X 8 (203 X 203) | 7.78 (198) | 7.78 (198) | 10 (254) | 10 (254) | 8.12 (206) | 8.12 (206) | 1 |
| | 10 x 10 (254 x 254) | 9.78 (248) | 9.78 (248) | 12 (305) | 12 (305) | 10.12 (257) | 10.12 (257) | 1 |
| | 12 x 12 (305 x 305) | 11.78 (299) | 11.78 (299) | 14 (356) | 14 (356) | 12.12 (308) | 12.12 (308) | 1 |
| | 14 x 14 (356 x 356) | 13.78 (350) | 13.78 (350) | 16 (406) | 16 (406) | 14.12 (359) | 14.12 (359) | 1 |
| | 16 x 16 (406 x 406) | 15.78 (401) | 15.78 (401) | 18 (457) | 18 (457) | 16.12 (409) | 16.12 (409) | 1 |
| | 18 x 18 (457 x 457) | 17.78 (452) | 17.78 (452) | 20 (508) | 20 (508) | 18.12 (460) | 18.12 (460) | 1 |
| | 24 x 24 (610 x 610) | 23.78 (604) | 23.78 (604) | 26 (660) | 26 (660) | 24.12 (613) | 24.12 (613) | 1 |

WALLS

Approved by Underwriters Laboratories (UL) for 1 1/2 hours "B" label in walls and ULC for 2 hours "B" label in walls.



STANDARD FEATURES: UNIVERSAL SELF LATCHING BOLT- OPERATED BY KNURLED KNOB / FLUSH KEY/ AND INSIDE TURN RELEASE.
 OPTIONS: CARBON STEEL, PRIME COAT BAKED ENAMEL FINISH

- LOCK TYPE**
- RIM CYLINDER LOCK
 - PREPARED FOR MORTISE CYLINDER LOCK

- MATERIAL**
- STAINLESS STEEL
 - OTHER

- FINISH**
- #4 SATIN POLISH
 - OTHER

ALL FIRE RATED:

SPECIAL SIZES CAN BE ORDERED, BUT BASIC CONSTRUCTION MUST REMAIN CONSTANT TO COMPLY WITH UL AND ULC REGULATIONS.

JOB NAME:
 CUSTOMER:

APPROVED BY:
 DATE: