



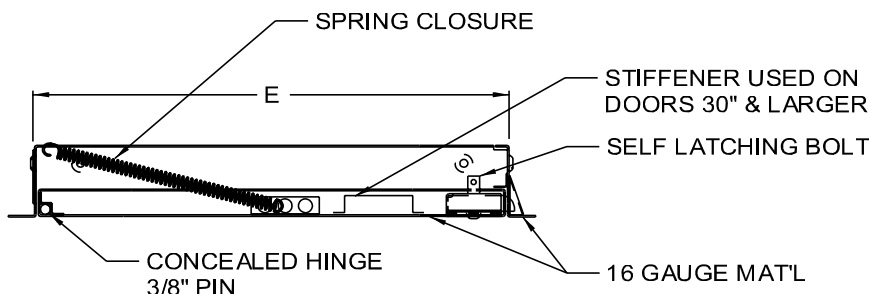
ACUDOR Products Inc.

(Address 1) 80 Little Falls Rd. Fairfield NJ 07004 USA
(Address 2) 4216 N. Pecos Rd, Ste. 104 Las Vegas, NV 89115
Tel : 800-722-0501 Fax : (973) 575-5160
www.acudor.com e-mail : info@acudor.com

FB-5060

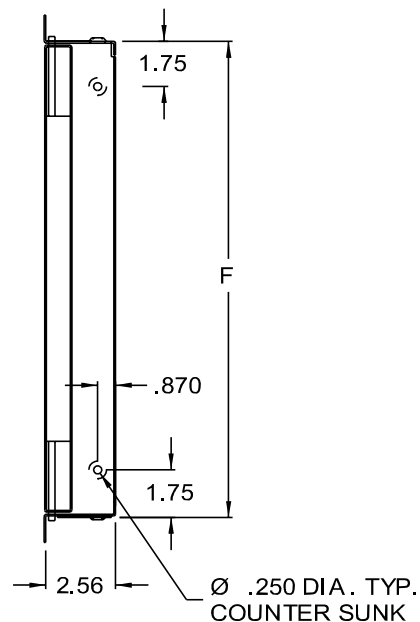
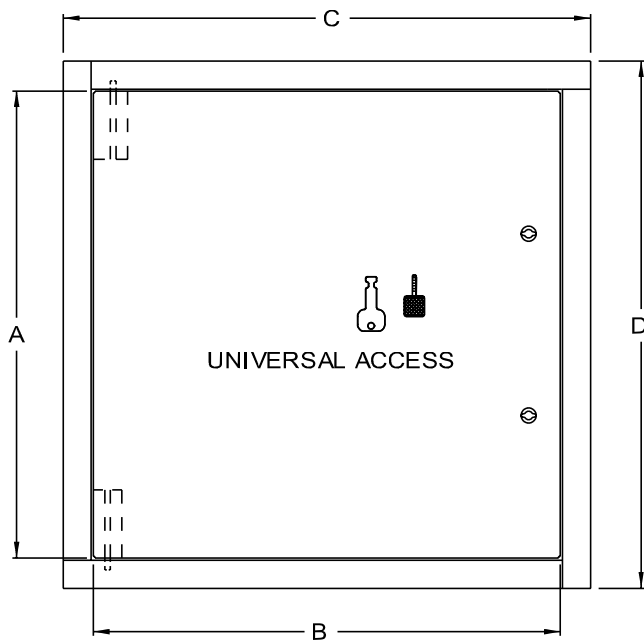
FIRE RATED - FOR WALLS

QTY.	NOMINAL SIZE	A	B	C	D	E	F	LOCK
	22 x 30 (559 x 762)	29.78 (756)	21.78 (553)	24 (610)	32 (813)	22.12 (562)	30.12 (765)	2
	22 x 36 (559 x 914)	35.78 (909)	21.78 (553)	24 (610)	38 (965)	22.12 (562)	36.12 (917)	2
	24 x 36 (610 x 914)	35.78 (909)	23.78 (604)	26 (660)	38 (965)	24.12 (613)	36.12 (917)	2
	24 x 48 (610 x 1219)	47.78 (1214)	23.78 (604)	26 (660)	50 (1270)	24.12 (613)	48.12 (1222)	2
	30 x 30 (762 x 762)	29.78 (756)	29.78 (756)	32 (813)	32 (813)	30.12 (765)	30.12 (765)	2
	36 x 36 (914 x 914)	35.78 (909)	35.78 (909)	38 (965)	38 (965)	36.12 (917)	36.12 (917)	2
	36 x 48 (914 x 1220)	47.78 (1214)	35.78 (909)	38 (965)	50 (1270)	36.12 (917)	48.12 (1222)	2



WALLS

Approved by Underwriters Laboratories (UL) for 1 1/2 hours "B" label in walls and ULC for 2 hours "B" label in walls.



STANDARD FEATURES: UNIVERSAL SELF LATCHING BOLT- OPERATED BY KNURLED KNOB / FLUSH KEY/ AND INSIDE TURN RELEASE.
OPTIONS: CARBON STEEL, PRIME COAT BAKED ENAMEL FINISH

- LOCK TYPE**
- RIM CYLINDER LOCK
 - PREPARED FOR MORTISE CYLINDER LOCK

- MATERIAL**
- STAINLESS STEEL
 - OTHER

- FINISH**
- #4 SATIN POLISH
 - OTHER

ALL FIRE RATED:

SPECIAL SIZES CAN BE ORDERED, BUT BASIC CONSTRUCTION MUST REMAIN CONSTANT TO COMPLY WITH UL AND ULC REGULATIONS.

JOB NAME:
CUSTOMER:

APPROVED BY:
DATE: