



ACUDOR Products Inc.

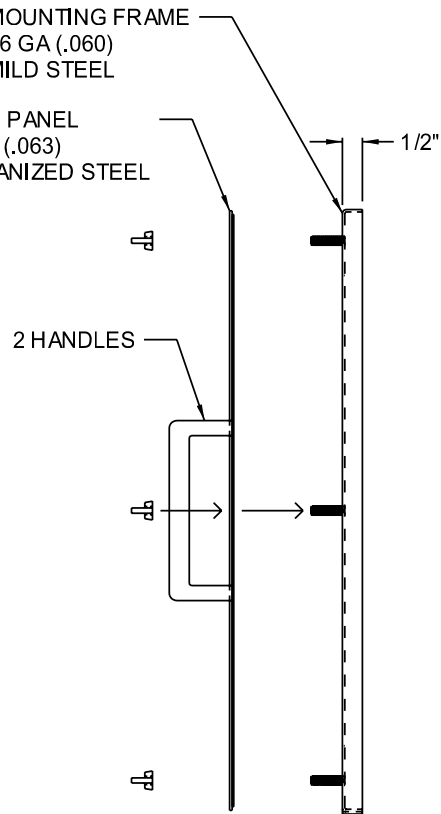
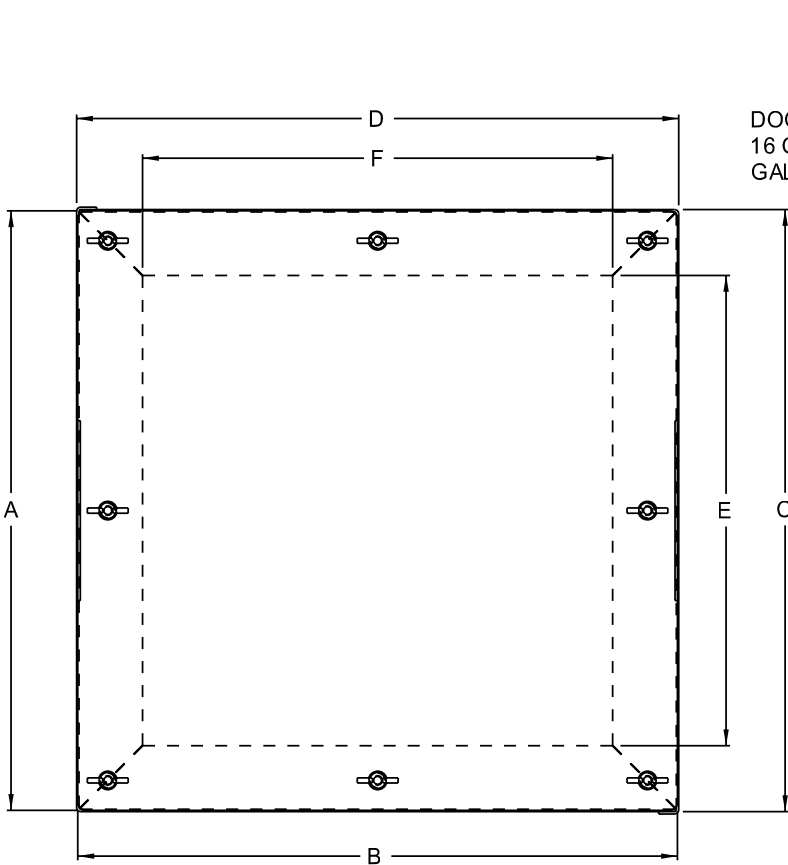
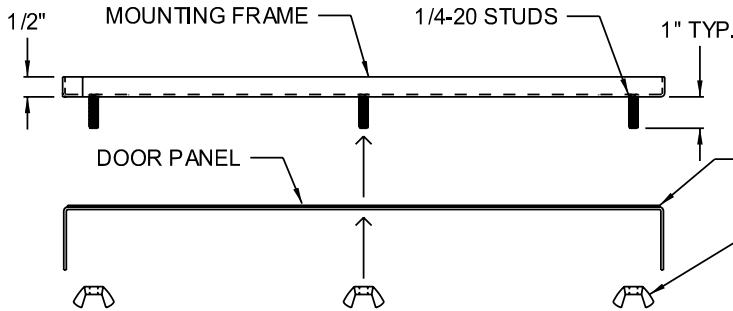
(Address 1) 80 Little Falls Rd. Fairfield NJ 07004 USA
 (Address 2) 4216 N. Pecos Rd, Ste. 104 Las Vegas, NV 89115
 Tel : 800-722-0501 Fax : (973) 575-5160
 www.acudor.com e-mail : info@acudor.com

GDD

GREASE DUCT ACCESS DOOR

QTY.	NOMINAL SIZE	A	B	C	D	E	F	NUT QTY
	7" x 7" (178 x 178)	10" (254)	10" (254)	10-1/16" (256)	10-1/16" (256)	6-3/4" (171)	6-3/4" (171)	4
	7" x 12" (178 x 305)	10" (254)	15" (381)	10-1/16" (256)	15-1/16" (383)	6-3/4" (171)	11-3/4" (298)	6
	7" x 20" (178 x 508)	10" (254)	23" (584)	10-1/16" (256)	23-1/16" (586)	6-3/4" (171)	19-3/4" (502)	10
	12" x 12" (305 x 305)	15" (381)	15" (381)	15-1/16" (383)	15-1/16" (383)	11-3/4" (298)	11-3/4" (298)	8
	12" x 20" (305 x 508)	15" (381)	23" (584)	15-1/16" (383)	23-1/16" (586)	11-3/4" (298)	19-3/4" (502)	12
	16" x 20" (406 x 508)	19" (483)	23" (584)	19-1/16" (484)	23-1/16" (586)	15-3/4" (400)	19-3/4" (502)	12
	20" x 20" (508 x 508)	23" (584)	23" (584)	23-1/16" (586)	23-1/16" (586)	19-3/4" (502)	19-3/4" (502)	16

UL and ULC listed access door for installation into grease ducts.



STANDARD FEATURES:

REMOVABLE DOOR PANEL WITH HIGH TEMPERATURE RESISTANT GASKET, GALVANIZED STEEL MILL FINISH, MOUNTING FRAME WITH STUDS AND WING NUTS, MILD STEEL MILL FINISH

JOB NAME:
CUSTOMER:

APPROVED BY:
DATE: