



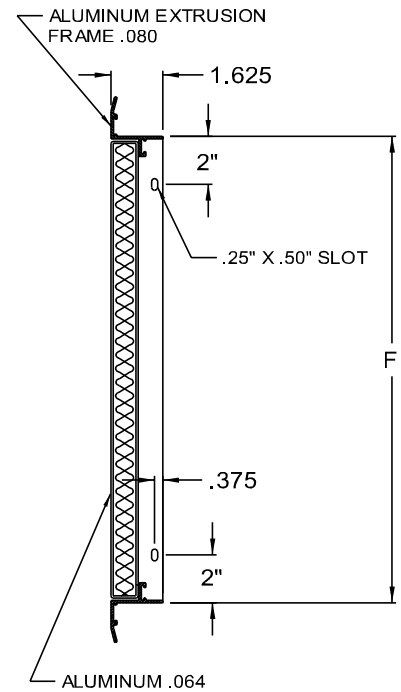
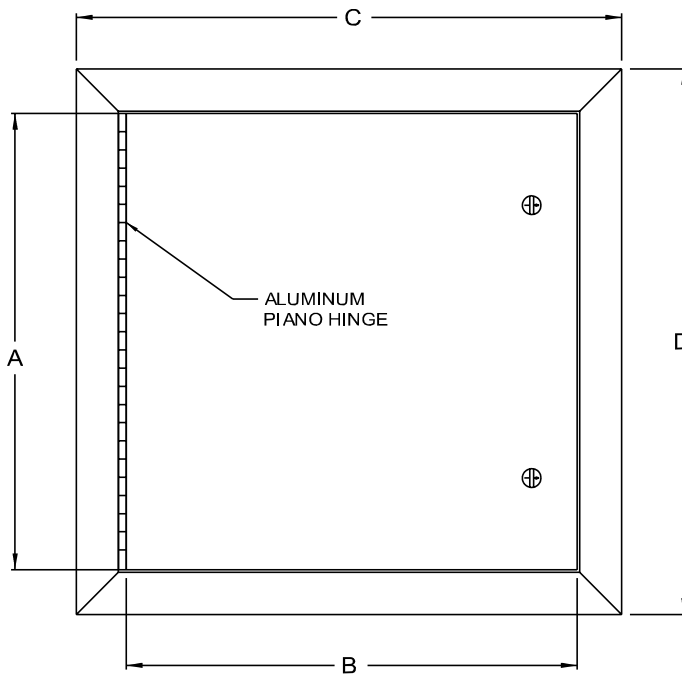
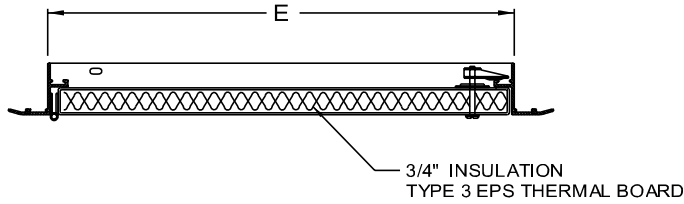
ACUDOR Products Inc.

(Address 1) 80 Little Falls Rd. Fairfield NJ 07004 USA
 (Address 2) 4216 N. Pecos Rd, Ste. 104 Las Vegas, NV 89115
 Tel : 800-722-0501 Fax : (973) 575-5160
 www.acudor.com e-mail : info@acudor.com

LT-4000

LIGHT WEIGHT ALUMINUM

QTY.	NOMINAL SIZE	A	B	C	D	E	F	LOCK
	30 x 30 (762 x 762)	30.062 (764)	30.000 (762)	32.855 (835)	32.855 (835)	30.375 (772)	30.375 (772)	2
	36 x 36 (914 x 914)	36.062 (916)	36.000 (914)	38.855 (987)	38.855 (987)	36.375 (924)	36.375 (924)	2
	36 x 48 (914 x 1210)	48.062 (1221)	36.000 (914)	38.855 (987)	50.855 (1292)	36.375 (924)	48.375 (1229)	2



STANDARD FEATURES: SCREWDRIVER OPERATED CAM LATCH, ALUMINUM DOOR AND FRAME, MILL FINISH

OPTIONS:

LOCK TYPE

- CYLINDER LOCK & KEY
- SPANNER HEAD CAM LATCH
- OTHER

MATERIAL

- OTHER

FINISH

- OTHER

OPTION

- 1/8" X 1/4" OPEN CELL FOAM GASKET (IF REQUIRED)

JOB NAME:
CUSTOMER:

APPROVED BY:
DATE: