



ACUDOR Products Inc.

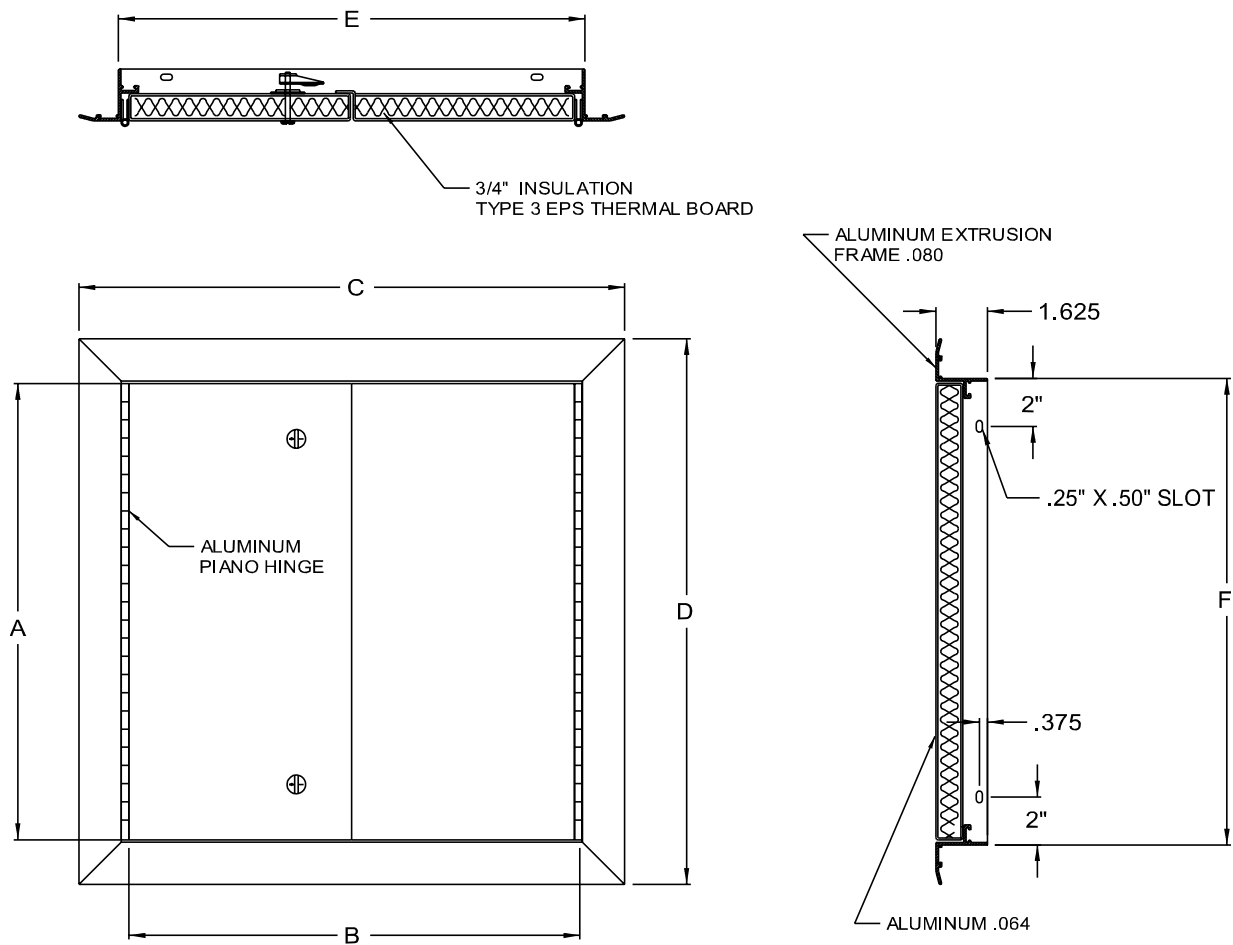
(Address 1) 80 Little Falls Rd. Fairfield NJ 07004 USA
 (Address 2) 4216 N. Pecos Rd, Ste. 104 Las Vegas, NV 89115
 Tel : 800-722-0501 Fax : (973) 575-5160
 www.acudor.com e-mail : info@acudor.com

LT-4000 DOUBLE LEAF

LIGHT WEIGHT ALUMINUM

QTY.	NOMINAL SIZE	A	B	C	D	E	F	LOCK
	* 48 x 48 (1220 x 1220)	48.062 (1221)	48.000 (1220)	50.855 (1292)	50.855 (1292)	48.375 (1229)	48.375 (1229)	2
	60 x 48 (1524 x 1220)	48.062 (1221)	60.000 (1524)	62.855 (1597)	50.855 (1292)	60.375 (1534)	48.375 (1229)	2
	60 x 60 (1524 x 1524)	60.062 (1525)	60.000 (1524)	62.855 (1597)	62.855 (1597)	60.375 (1534)	60.375 (1534)	2
	72 x 48 (1830 x 1220)	48.062 (1221)	72.000 (1829)	74.855 (1901)	50.855 (1292)	72.375 (1838)	48.375 (1229)	2

* Consealed pin hinge used.



STANDARD FEATURES: SCREWDRIVER OPERATED CAM LATCH, ALUMINUM DOOR AND FRAME, MILL FINISH

OPTIONS:

- | | | | |
|---|-----------------------------------|---------------------------------|--|
| <input type="checkbox"/> LOCK TYPE | <input type="checkbox"/> MATERIAL | <input type="checkbox"/> FINISH | <input type="checkbox"/> OPTION |
| <input type="checkbox"/> CYLINDER LOCK & KEY | <input type="checkbox"/> OTHER | <input type="checkbox"/> OTHER | <input type="checkbox"/> 1/8" X 1/4" OPEN CELL FOAM GASKET (IF REQUIRED) |
| <input type="checkbox"/> SPANNER HEAD CAM LATCH | | | |
| <input type="checkbox"/> OTHER | | | |

JOB NAME:
 CUSTOMER:

APPROVED BY:
 DATE: