



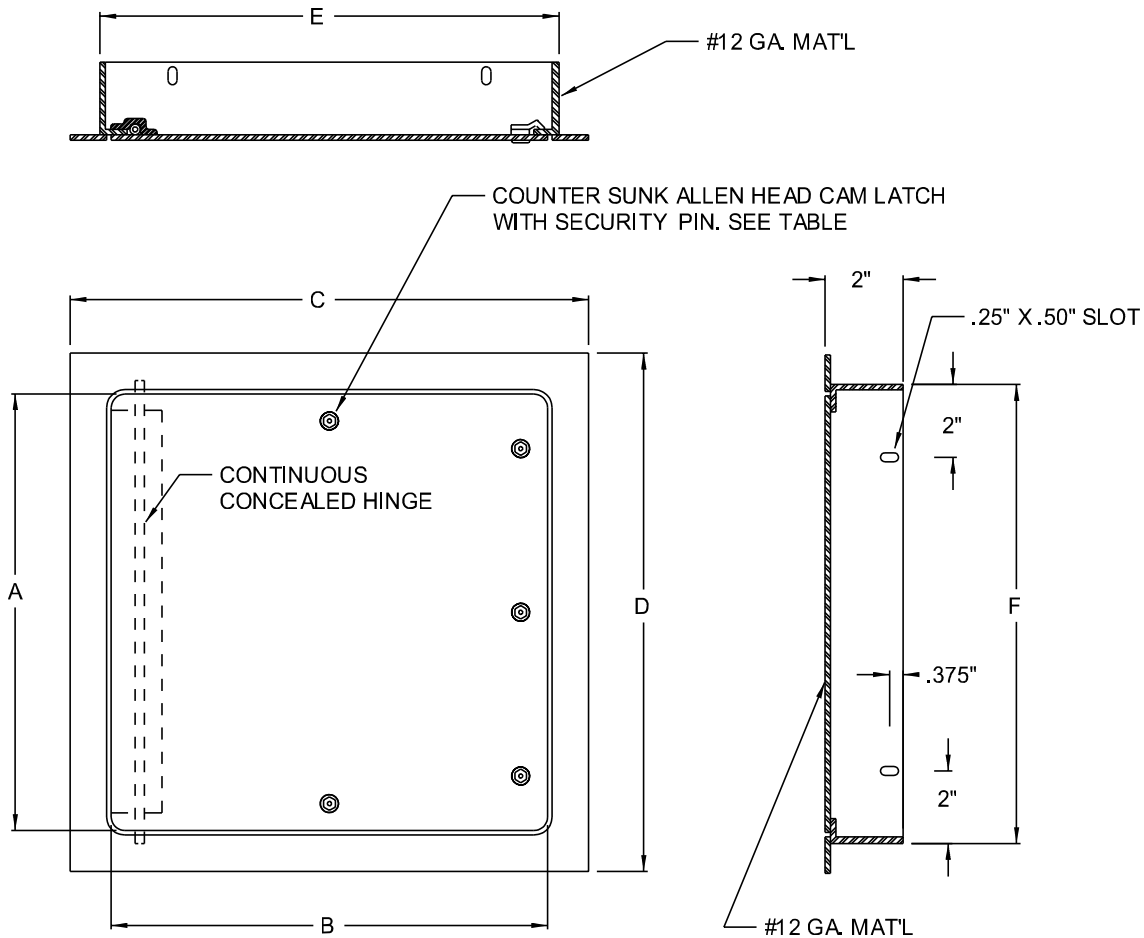
ACUDOR Products Inc.

(Address 1) 80 Little Falls Rd. Fairfield NJ 07004 USA
 (Address 2) 4216 N. Pecos Rd, Ste. 104 Las Vegas, NV 89115
 Tel : 800-722-0501 Fax : (973) 575-5160
 www.acudor.com e-mail : info@acudor.com

MS-7000

MEDIUM SECURITY

QTY.	NOMINAL SIZE	A	B	C	D	E	F	ALLEN KEY
	12 x 12 (305 x 305)	11.480 (292)	11.456 (291)	14.50 (368)	14.50 (368)	12.25 (311)	12.25 (311)	1
	16 x 16 (406 x 406)	15.480 (393)	15.456 (393)	18.50 (470)	18.50 (470)	16.25 (413)	16.25 (413)	2
	18 x 18 (457 x 457)	17.480 (444)	17.456 (443)	20.50 (521)	20.50 (521)	18.25 (464)	18.25 (464)	2
	24 x 24 (610 x 610)	23.480 (596)	23.456 (596)	26.50 (673)	26.50 (673)	24.25 (616)	24.25 (616)	4
	24 x 36 (610 x 914)	35.480 (901)	23.456 (596)	26.50 (673)	38.50 (978)	24.25 (616)	36.25 (921)	5
	36 x 36 (914 x 914)	35.480 (901)	35.456 (901)	38.50 (978)	38.50 (978)	36.25 (921)	36.25 (921)	5



STANDARD FEATURES: TAMPER RESISTANT ALLEN HEAD CAM LATCH WITH SECURITY PIN, CARBON STEEL, PRIME COAT BAKED ENAMEL FINISH

OPTIONS:

LOCK TYPE

- SPANNER HEAD CAM LATCH
- CYLINDER LOCK & KEY
- RIM CYLINDER LOCKS WHEN MASTER KEYED
- HD DETENTION LOCK WITH PARACENTRIC KEY
- OTHER

MATERIAL

- STAINLESS STEEL
- OTHER

FINISH

- #4 SATIN POLISH
- OTHER

JOB NAME:
 CUSTOMER:

APPROVED BY:
 DATE: