



High-quality, architecturally pleasing, innovative access doors for walls, ceilings, ducts, floors and roofs



RECESSED ACCESS DOOR DW-5015

Application

- For installation in drywall surfaces when it is required to conceal the door panel

Product Features

- Recessed 1" to receive drywall
- Door flange is a textured galvanized steel tapping bead with pre-punched holes

DW-5015 Access Door Specifications:

Material: Steel or Stainless Steel: 16 gage door, 14 gage mounting frame

Door: Recessed 1"

Door Frame: Galvanized steel drywall tapping bead on all sides

Hinge: Concealed, pivoting rod type. (For wall applications, a continuous exposed piano hinge is suggested.)

Standard Latch: Flush to surface, screwdriver operated cam latch

Optional Latches/Locks: Cylinder lock and key, allen head cam latch, spanner head cam latch

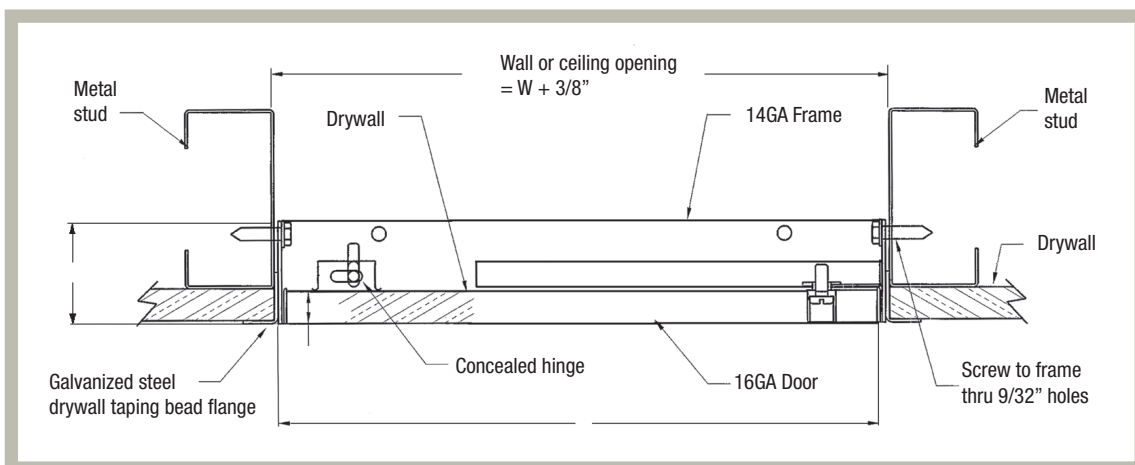
Finish: Steel: 5 stage iron phosphate preparation with prime coat of White baking enamel



AVAILABLE SIZES (Special sizes available upon request)

NOMINAL DOOR SIZE W X H		WEIGHT PER DOOR		
inches	mm	Latches	lbs.	kg.
12 X 12	305 X 305	1	8.5	3.9
18 X 18	457 X 457	2	15	6.8
24 X 24	610 X 610	2	23	10.4
24 X 36	610 X 914	4	30	13.8

Wall or ceiling opening is $W + 3/8"$ (9 mm)
For detailed specifications see submittal sheet



For more information on Acudor Products Inc. visit www.acudor.com or call 800.722.0501

Product specifications may change without notice. Acudor is a registered Trade Mark ©2009