



High-quality, architecturally pleasing, innovative access doors for walls, ceilings, ducts, floors and roofs



FIRE RATED UNINSULATED

- for drywall walls

FB-5060-DW

Application

- For drywall walls applications.
- Designed to maintain continuity in a 2 hour fire rated wall, when temperature is not a factor

Product Features

- Concealed hinge • Self-closing • Self-Latching
- Drywall taping bead
- Inside latch release
- Available with a removable door panel

FB-5060 Access Door Specifications:

Door / Door Frame: Steel or Stainless Steel: 16 gauge door, 16 gauge mounting frame. Flush to frame with reinforced edges, drywall taping bead flange

Hinge: Concealed

Fire Rating: UL — 1-1/2 hour "B" label. ULC — 2 hour "B" label. (optional)

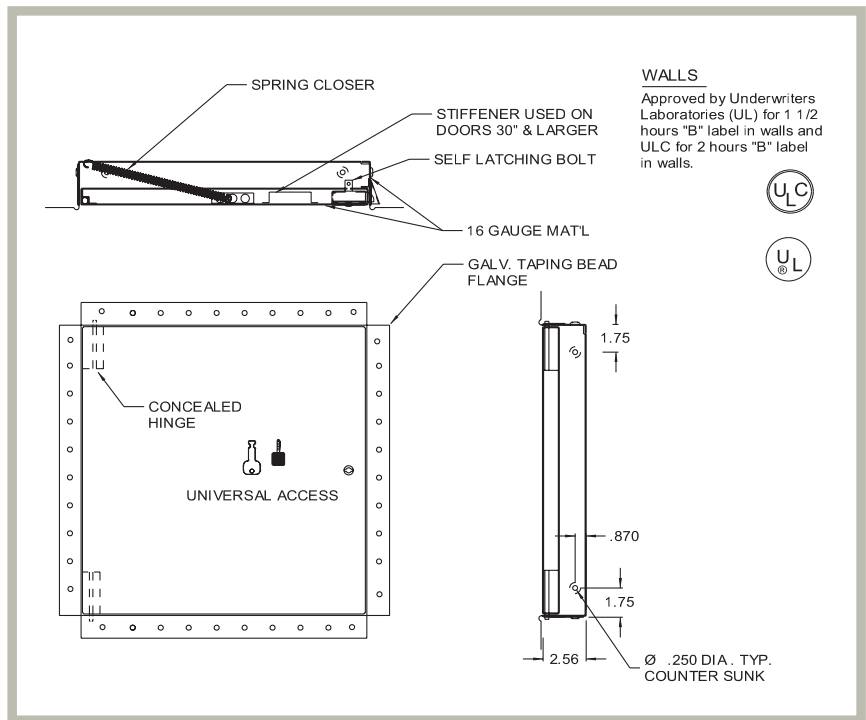
Standard Latch: Universal self-latching bolt, operated by either a knurled knob or flush key. When master keying is required, doors can be prepared for rim or mortise cylinder locks.

Finish: Steel: 5 stage iron phosphate preparation with prime coat of White alkyd baking enamel.
Stainless Steel: #4 satin polish.



AVAILABLE SIZES (Special sizes available upon request)

| NOMINAL DOOR SIZE W X H | | WEIGHT PER DOOR | | |
|-------------------------|------------|-----------------|------|------|
| inches | mm | Latches | lbs. | kg. |
| 8 X 8 | 203 X 203 | 1 | 5.5 | 2.5 |
| 10 X 10 | 254 X 254 | 1 | 6.7 | 2.9 |
| 12 X 12 | 305 X 305 | 1 | 8.3 | 3.8 |
| 14 X 14 | 355 X 355 | 1 | 9.5 | 4.3 |
| 16 X 16 | 406 X 406 | 1 | 11.5 | 5.2 |
| 18 X 18 | 457 X 457 | 1 | 14.3 | 6.5 |
| 22 X 30 | 560 X 762 | 1 | 32.5 | 14.5 |
| 22 X 36 | 560 X 914 | 2 | 28 | 12.7 |
| 24 X 24 | 610 X 610 | 1 | 20.3 | 9.2 |
| 24 X 36 | 610 X 914 | 2 | 28.5 | 12.9 |
| 24 X 48 | 610 X 1220 | 2 | 34 | 10.6 |
| 30 X 30 | 762 X 762 | 2 | 28.5 | 12.9 |
| 36 X 36 | 914 X 914 | 2 | 38 | 17.2 |
| 36 X 48 | 914 X 1220 | 2 | 47.5 | 21.5 |



Wall opening is W + 3/8" (9 mm)
For detailed specifications see submittal sheet