



High-quality, architecturally pleasing, innovative access doors for walls, ceilings, ducts, floors and roofs



ROOF HATCHES

Application

- Acudor Roof Hatches are designed to provide convenient, economical access to the Roof of a building.

Product Features

- Available in prime coated galvanized steel or aluminum, mill finish
- Optional Curb Height of 16 inches for "Green Roof" applications
- Optional Features: Acrylic domes - Stainless Steel Hardware - Modified curb for metal building - Louvered Curbs - Curb Mounted Units
- Optional Accessories: Safety Ladder Extension (SLE-Y) - Telescoping Safety Post (TSP-1) - Safety Railing System (RHSR)

Roof Hatch Specifications:

Cover: 14 gage galvanized steel/10 gage aluminum in box type design with 1" cellulose Insulation and 22 gage galvanized steel/.032 aluminum cover liner. Continuous EPDM weather/draft seal gasket is attached to inside of cover, providing a flush tight fit. The cover is designed to support a live load of 40 pounds/sq ft.

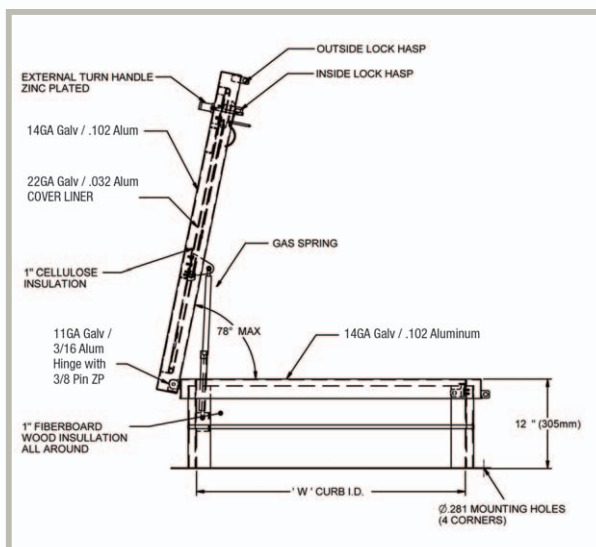
Curb: 14 gage galvanized steel/ 10 gage .102 aluminum with 1" thick fiber board roof Insulation at curb exterior. Curb is 12" high, with 3.375" wide bottom flange and pre-drilled mounting holes.

Hinge: 11 Gage Galvanized steel/ 3/16" aluminum pivot hinges

Opening: Gas spring operators allow cover to open and close with ease. Built in hold open arm locks cover into open position. Inside pull handle allows for easy control when closing cover.

Door Latch: Self Latching zinc plated outside T handle with stainless steel inside lock and lever assembly. Unit also has inside and outside padlock provisions.

Finish: Galvanized Steel: Grey baked enamel polyester / Aluminum: Mill finish



AVAILABLE SIZES (Special sizes available upon request)

MODEL	DOOR SIZE INCHES & MM		MATERIAL	WEIGHT LBS & KGS LBS & KGS	
G3232	24 X 24	610 X 610	GALVANIZED	125	56.8
G3244	36 X 24	914 X 610	GALVANIZED	135	61.4
G3844	36 X 30	914 X 762	GALVANIZED	155	70.5
G4444	36 X 36	914 X 914	GALVANIZED	170	77.3
G5656	48 X 48	1220 X 1220	GALVANIZED	185	84.0
G3862	30 X 54	1372 X 762	GALVANIZED	225	102.3
G38104	30 X 96	762 X 2438	GALVANIZED	335	152.3
A3232	24 X 24	610 X 610	ALUMINUM	60	27.3
A3244	36 X 24	914 X 610	ALUMINUM	70	31.8
A3844	36 X 30	914 X 762	ALUMINUM	85	38.6
A4444	36 X 36	914 X 914	ALUMINUM	95	43.2
A5656	48 X 48	1220 X 1220	ALUMINUM	115	52.3
A3862	30 X 54	762 X 1372	ALUMINUM	135	61.4
A38104	30 X 96	762 X 2438	ALUMINUM	245	111.4

For more information on Acudor Products Inc. visit www.acudor.com or call 800.722.0501

Product specifications may change without notice. Acudor is a registered Trade Mark ©2009