



High-quality, architecturally pleasing, innovative access doors for walls, ceilings, ducts, floors and roofs



SECURITY DOORS SD-6000

Application

- Installation ideal for prisons, correctional facilities, housing projects etc.
- Heavy duty access door designed for use in high security areas

Product Features

- 10 Gage Door
- Security butt hinges are surface welded to the door and frame
- A detention type deadbolt lock with paracentric key is standard

SD-6000 Access Door Specifications:

Door / Door Frame: 10 gage plate, flush to edge of frame
Flange to be 2" wide, mounting frame to have anchor straps

Hinge: Heavy duty butt hinges, welded to door and frame

Standard Latch: Detention type deadbolt lock with paracentric key

Optional Latches/Locks: Tamperproof security cam latches, cylinder lock and key. When master keying is required, doors can be prepared for rim or mortise cylinder locks

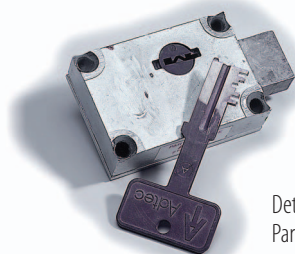
Finish: 5 stage iron phosphate preparation with prime coat of White alkyd baking enamel. Stainless Steel: #4 satin polish



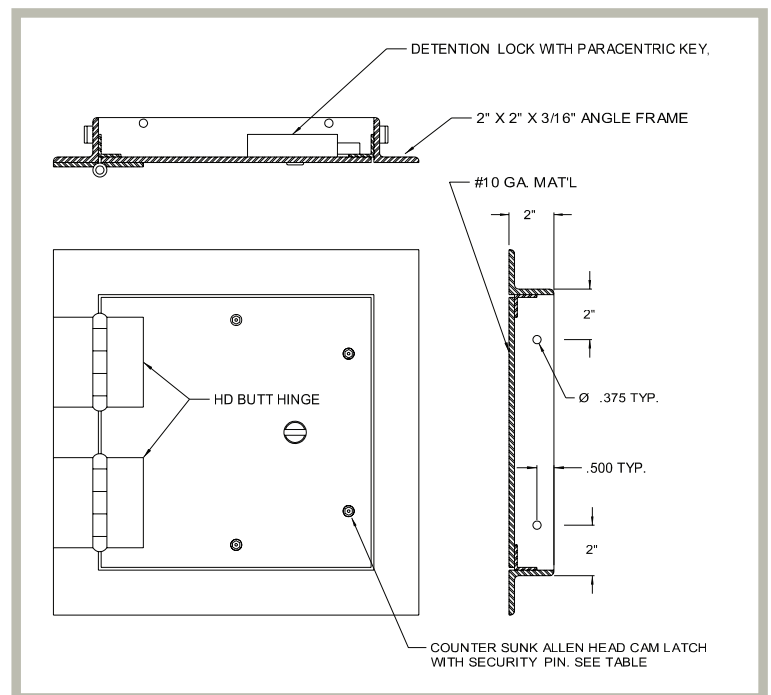
AVAILABLE SIZES (Special sizes available upon request)

| NOMINAL DOOR SIZE W X H | | WEIGHT PER DOOR | |
|-------------------------|-----------|-----------------|------|
| inches | mm | lbs. | kg. |
| 12 X 12 | 305 X 305 | 22 | 10 |
| 16 X 16 | 406 X 406 | 30 | 13.8 |
| 18 X 18 | 457 X 457 | 46 | 21 |
| 24 X 24 | 610 X 610 | 70 | 31.8 |
| 24 X 36 | 610 X 914 | 90 | 41 |
| 36 X 36 | 914 X 914 | 12 | 54.5 |

Wall or ceiling opening is nominal door size + 3/8" (9 mm)
For detailed specifications see submittal sheet



Detention Lock with Paracentric Key



For more information on Acudor Products Inc. visit www.acudor.com or call 800.722.0501

Product specifications may change without notice. Acudor is a registered Trade Mark ©2009