



www.acudor.com
 U.S.A.: info@acudor.com / 800.722.0501
 CANADA: info@acudor.ca / 844.228.3671
 INTERNATIONAL: info@acudorintl.com
 905.428.2240

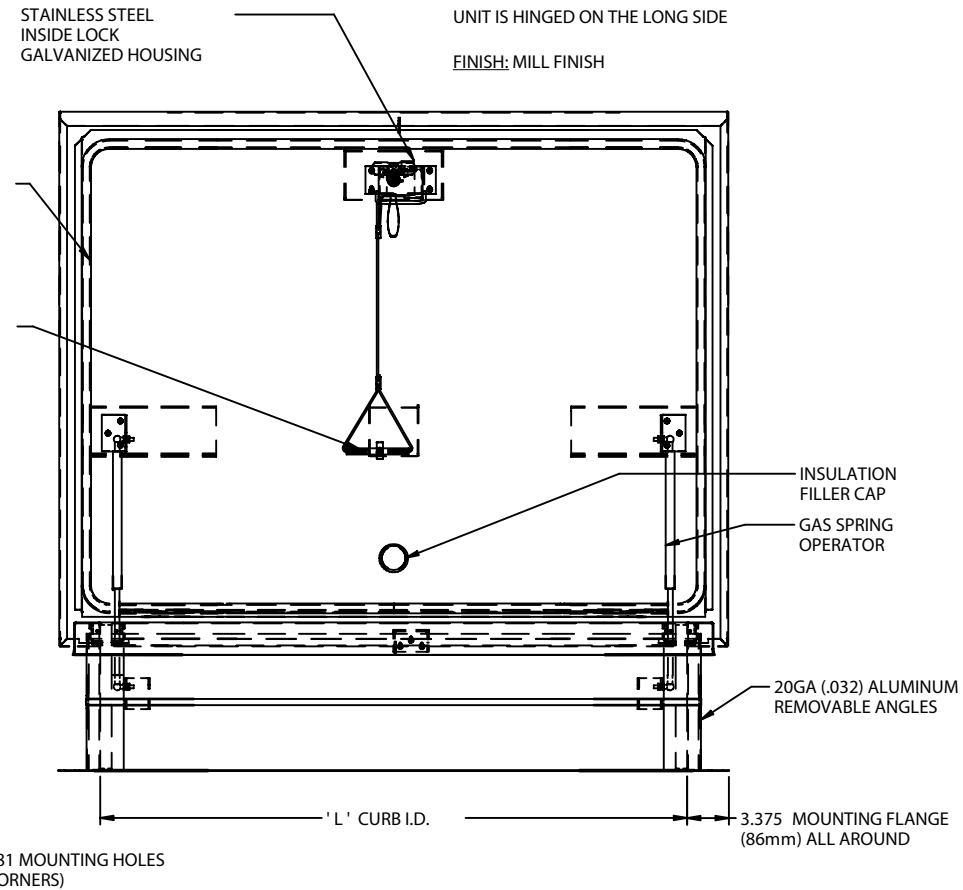
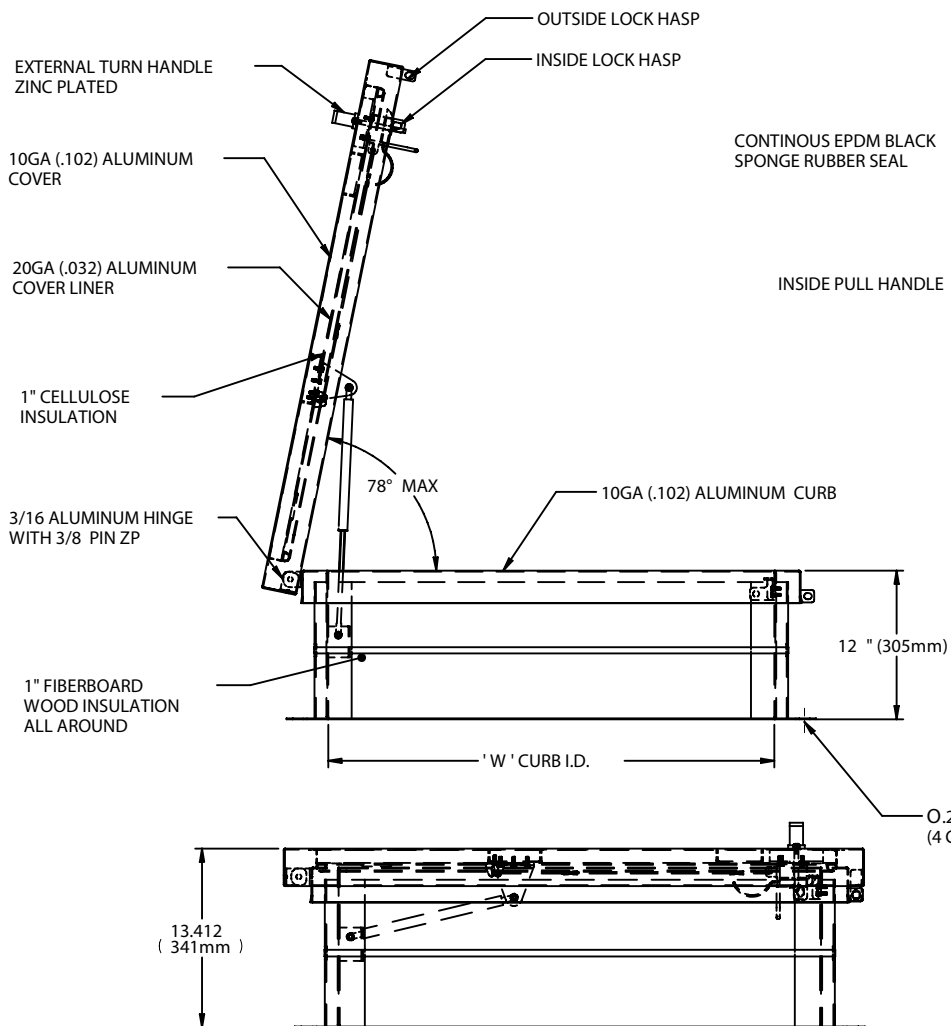
QTY	OPENING WIDTH "W"	OPENING LENGTH "L"	QTY	OPENING WIDTH "W"	OPENING LENGTH "L"
	30" (762mm)	54" (1372mm)			

SHIP STAIR ACCESS ROOF HATCH ALUMINUM

ASSEMBLY NOTE:
 UNIT SHALL BE COMPLETELY ASSEMBLED AS SHOWN
 AND SUPPLIED TO JOB READY FOR INSTALLATION

UNIT IS HINGED ON THE LONG SIDE

FINISH: MILL FINISH



JOB NAME:	APPROVED BY:
CUSTOMER:	DATE:
COPYRIGHT © 2014 ACUDOR ACCESS DOORS AND ACUDOR PRODUCTS INC. ALL RIGHTS RESERVED	