

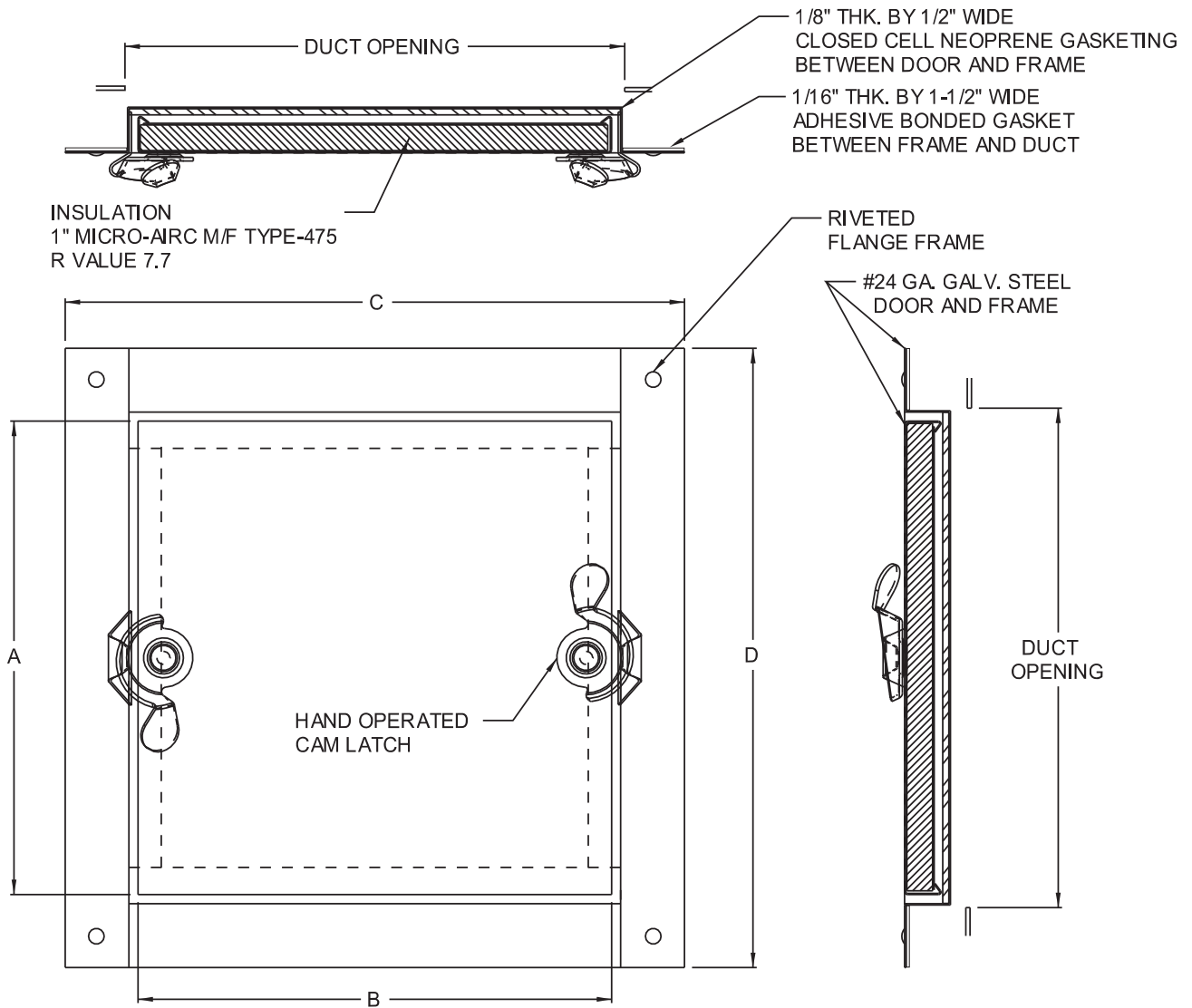


www.acudor.com
 U.S.A.: info@acudor.com / 800.722.0501
 CANADA: info@acudor.ca / 844.228.3671
 INTERNATIONAL: info@acudorintl.com
 (905) 428.2240

CD-5080-F

DUCT DOOR - NO HINGE

QTY.	NOMINAL SIZE	A	B	C	D	DUCT OPENING	LATCH
	6 x 6 (152 x 152)	5.375 (137)	5.375 (137)	8.875 (225)	8.875 (225)	6 x 6 (152 x 152)	2
	8 x 8 (203 x 203)	7.375 (187)	7.375 (187)	10.875 (276)	10.875 (276)	8 x 8 (203 x 203)	2
	10 x 10 (254 x 254)	9.375 (238)	9.375 (238)	12.875 (327)	12.875 (327)	10 x 10 (254 x 254)	2
	12 x 12 (304 x 304)	11.375 (289)	11.375 (289)	14.875 (378)	14.875 (378)	12 x 12 (304 x 304)	2
	14 x 14 (356 x 356)	13.375 (340)	13.375 (340)	16.875 (429)	16.875 (429)	14 x 14 (356 x 356)	4
	16 x 16 (406 x 406)	15.375 (391)	15.375 (391)	18.875 (479)	18.875 (479)	16 x 16 (406 x 406)	4
	18 x 18 (457 x 457)	17.375 (441)	17.375 (441)	20.875 (530)	20.875 (530)	18 x 18 (457 x 457)	4



STANDARD FEATURES: REMOVABLE DOOR PANEL, SELF TIGHTENING HAND OPERATED CAM LATCH, GALVANIZED STEEL, MILL FINISH.

OPTIONS:

LOCK TYPE
 OTHER

MATERIAL
 STAINLESS STEEL
 ALUMINUM
 OTHER

JOB NAME:

APPROVED BY:

CUSTOMER:

DATE: