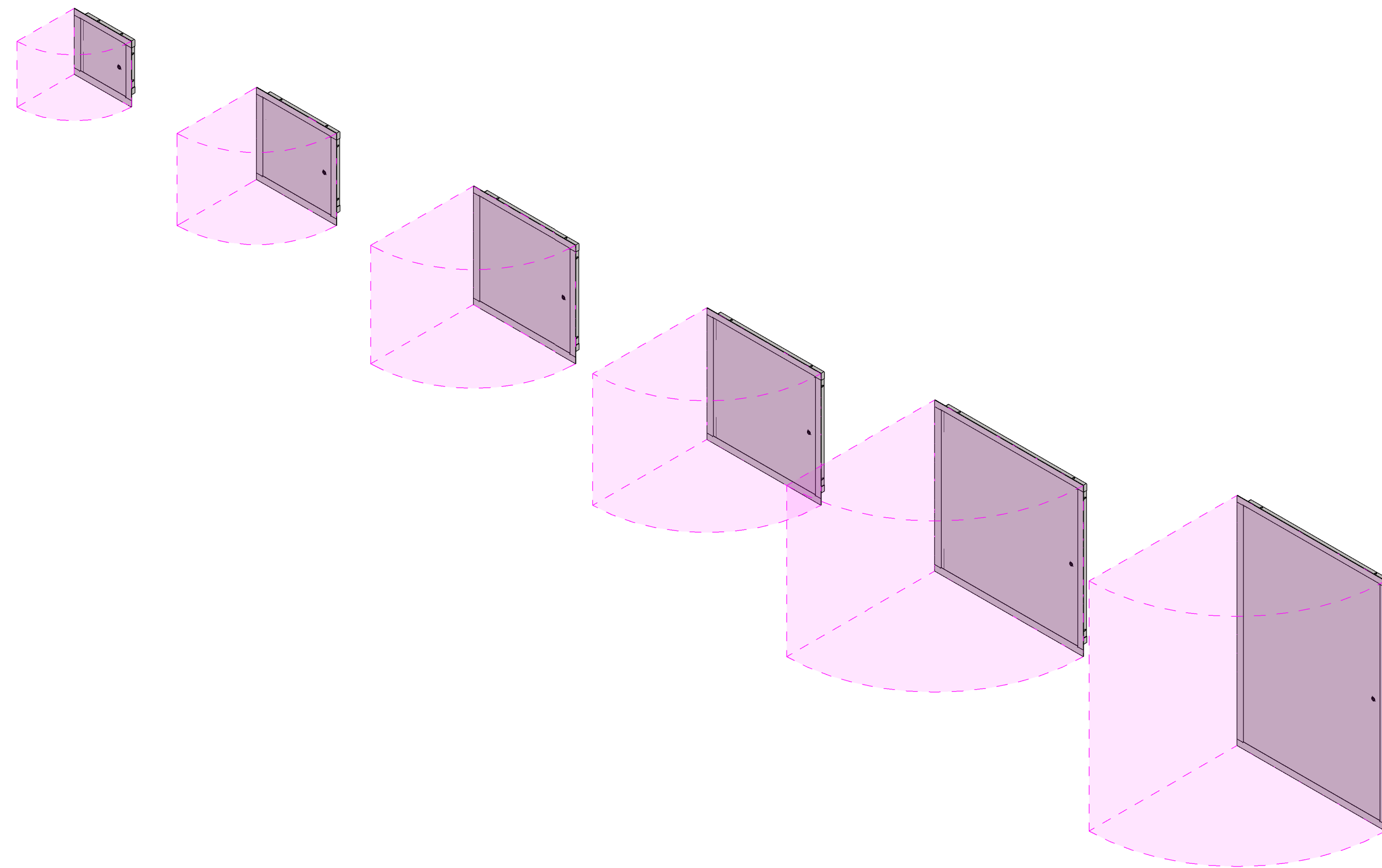
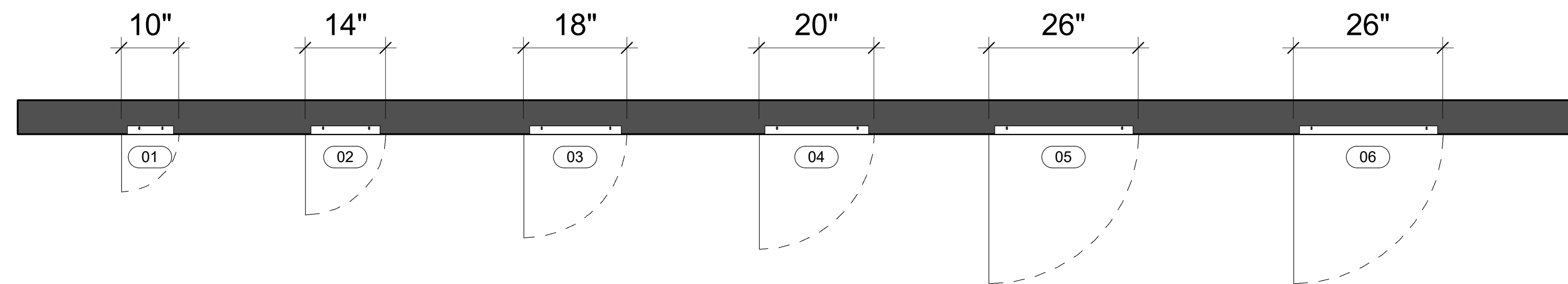




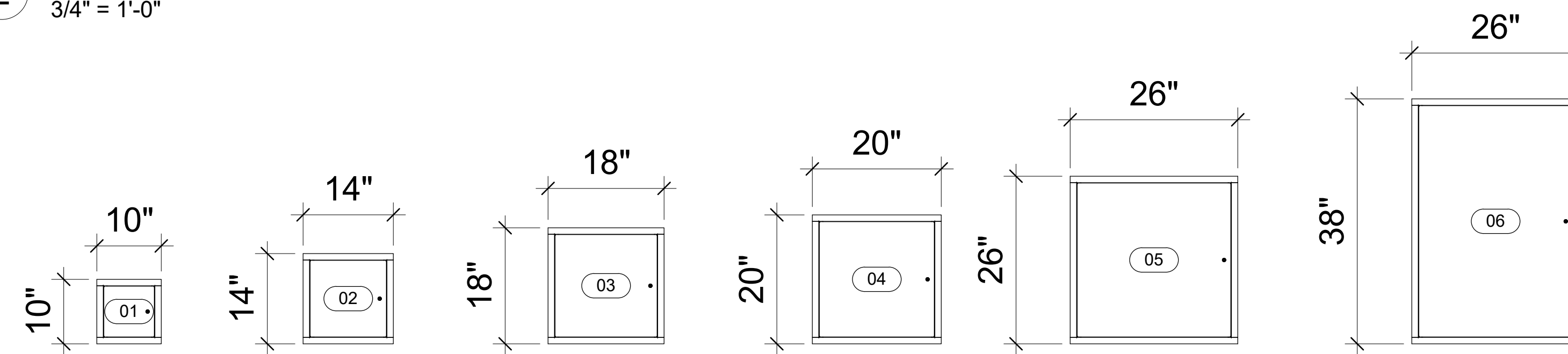
www.acudor.com



1 3D View



2 Level 1
3/4" = 1'-0"



3 Elevation 2
3/4" = 1'-0"

Door Schedule												
Type Mark	Manufacturer	Description	Model	Type	Width	Height	URL	Manufacturer URL	USA Manufacturer URL	USA Contact Number	Canada Manufacturer URL	Canada Contact Number
01	ACUDOR	GASKETED FLUSH MOUNT	AS-9000-0808	AS-9000-0808	10.00	10.00	www.acudor.com	info@acudorintl.com	info@acudor.com	800-722-0501	info@acudor.ca	844-228-3671
02	ACUDOR	GASKETED FLUSH MOUNT	AS-9000-1212	AS-9000-1212	14.00	14.00	www.acudor.com	info@acudorintl.com	info@acudor.com	800-722-0501	info@acudor.ca	844-228-3671
03	ACUDOR	GASKETED FLUSH MOUNT	AS-9000-1616	AS-9000-1616	18.00	18.00	www.acudor.com	info@acudorintl.com	info@acudor.com	800-722-0501	info@acudor.ca	844-228-3671
04	ACUDOR	GASKETED FLUSH MOUNT	AS-9000-1818	AS-9000-1818	20.00	20.00	www.acudor.com	info@acudorintl.com	info@acudor.com	800-722-0501	info@acudor.ca	844-228-3671
05	ACUDOR	GASKETED FLUSH MOUNT	AS-9000-2424	AS-9000-2424	26.00	26.00	www.acudor.com	info@acudorintl.com	info@acudor.com	800-722-0501	info@acudor.ca	844-228-3671
06	ACUDOR	GASKETED FLUSH MOUNT	AS-9000-2436	AS-9000-2436	26.00	38.00	www.acudor.com	info@acudorintl.com	info@acudor.com	800-722-0501	info@acudor.ca	844-228-3671

Access Door-ACUDOR Gasket AS-9000

3D View, Plan, Elev, & Schedule

Project Number 004

Date 06-17-2020

AS-9000

Scale 3/4" = 1'-0"