

RHA ALUMINUM SERVICE STAIR ACCESS ROOF HATCH

Application

Acudor Service Stair Roof Hatches are designed to provide convenient, economical access to the roof of a building from a full size staircase to perform maintenance.

Features RHA

- Weather tight construction
- Convenient one-hand operation
- 12" high insulated curb
- Supports 40lbs./sq. ft. live load
- Stainless Steel Hardware

Optional Features RHA

- Painted and Anodized finishes
- Louvered Curbs
- Curb Mounted Units
- Polycarbonate domes for daylighting
- Curb pitch corrected for sloped roof
- Higher curb heights for "green roof" applications

RHA Specifications:

Cover: Double-skin construction ("in box type design") with 1" Polyiso (R-6) insulation and a continuous EPDM foam weather/draft seal gasket that is attached to the inside of cover to provide a flush, tight fit. Designed to support a live load of 40lbs./sq. ft., the cover is 1/8" aluminum with a 20 gauge aluminum inside liner.

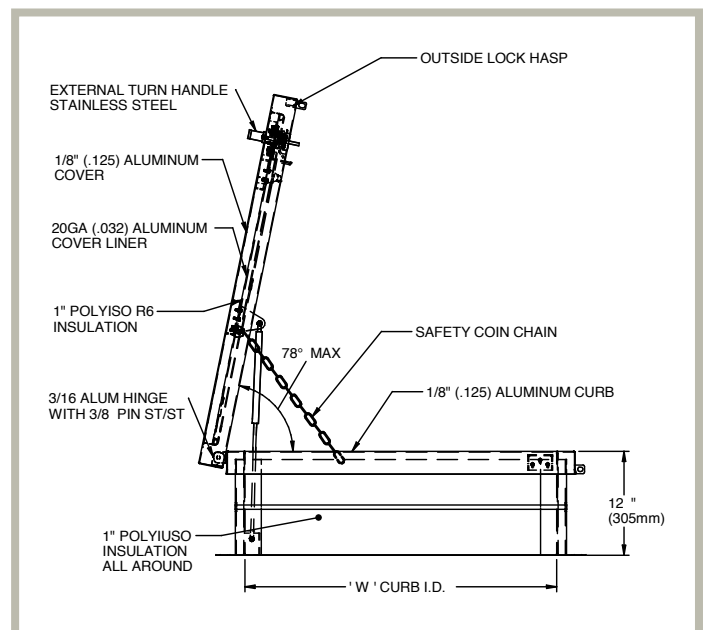
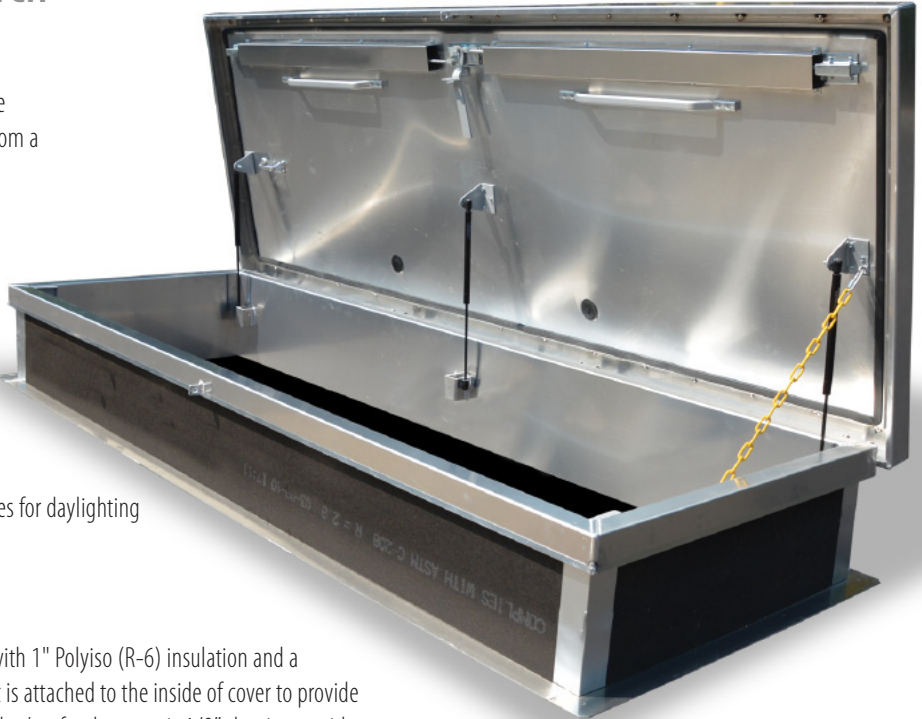
Curb: 1/8" thick aluminum with 1" thick Polyiso (R-6) insulation at curb exterior. Curb is 12" high, with 3.375" wide bottom flange and pre-drilled mounting holes.

Hinge: Heavy duty Aluminum pintle hinges with 3/8" SS pin

Opening: Gas spring operators allow cover to open and close with ease. Stainless Steel inside pull handle allows for easy control when closing cover.

Door Latch: Self latching, Stainless Steel outside T handle with inside lock and lever assembly. Unit also has inside and outside padlock provisions.

Finish: Mill finish



RHA STANDARD SIZES (other sizes available)

Model	Curb ID W&L inches (mm)	Weight per Hatch lbs. (kg.)
A38104	30 x 96 (762 x 2438)	245 (111.4)

For detailed specifications see submittal sheet