



www.acudor.com  
 U.S.A.: info@acudor.com / 800.722.0501  
 CANADA: info@acudor.ca / 844.228.3671  
 INTERNATIONAL: info@acudorintl.com / 905.428.2240

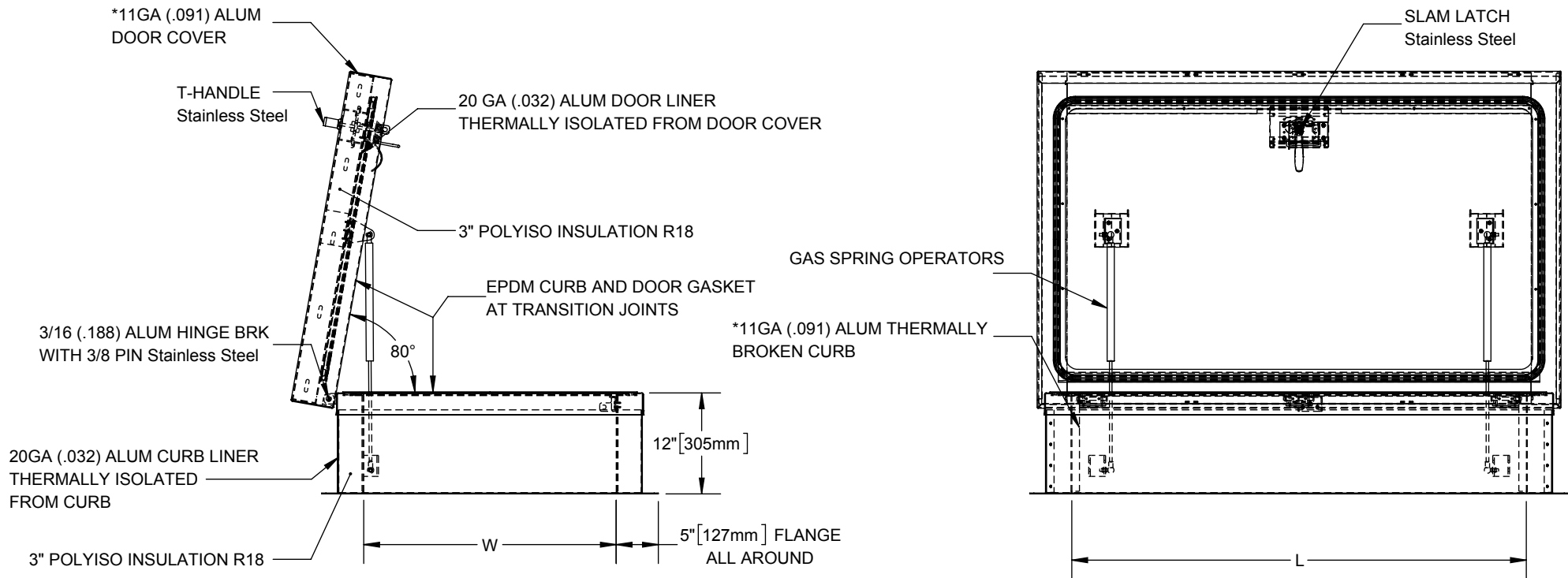
| QTY | OPENING WIDTH 'W' | OPENING LENGTH 'L' | QTY | OPENING WIDTH 'W' | OPENING LENGTH 'L' |
|-----|-------------------|--------------------|-----|-------------------|--------------------|
|     | 24" (609mm)       | 24" (609mm)        |     | 30" (762mm)       | 54" (1372mm)       |
|     | 36" (914mm)       | 24" (609mm)        |     | 36" (914mm)       | 36" (914mm)        |
|     | 30" (762mm)       | 30" (762mm)        |     | 48" (1219mm)      | 48" (1219mm)       |
|     | 36" (914mm)       | 30" (762mm)        |     |                   |                    |

**ROOF HATCH ALUMINUM - THERMALLY BROKEN**

THERMAL PERFORMANCE TESTED TO ASTM C1363-11:  
 (Standard Test Method for Thermal Performance of Building Materials  
 and Envelope Assemblies by Means of a Hot Box Apparatus)

ASSEMBLY NOTE:  
 UNIT SHALL BE COMPLETELY ASSEMBLED AS SHOWN AND  
 SUPPLIED TO JOB READY FOR INSTALLATION.

FINISH : MILL



\* 10 GA (.100) ALUM FOR 30 X 54 (762mmX1372mm) ROOF HATCH  
 \* 1/8 (.125) ALUM FOR 48 X 48 (1219mm X 1219mm) ROOF HATCH

DRAWING NO. : #RHATB

JOB NAME :

APPROVED BY :

CUSTOMER :

DATE :